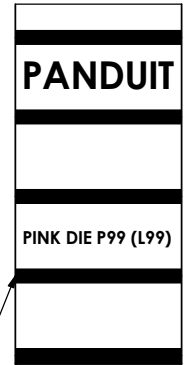
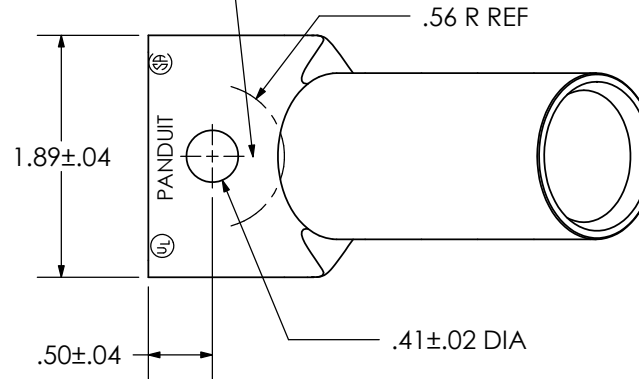


THIS COPY IS PROVIDED ON A RESTRICTED BASIS AND IS NOT TO BE USED IN ANY WAY DETRIMENTAL TO THE INTERESTS OF PANDUIT CORP.

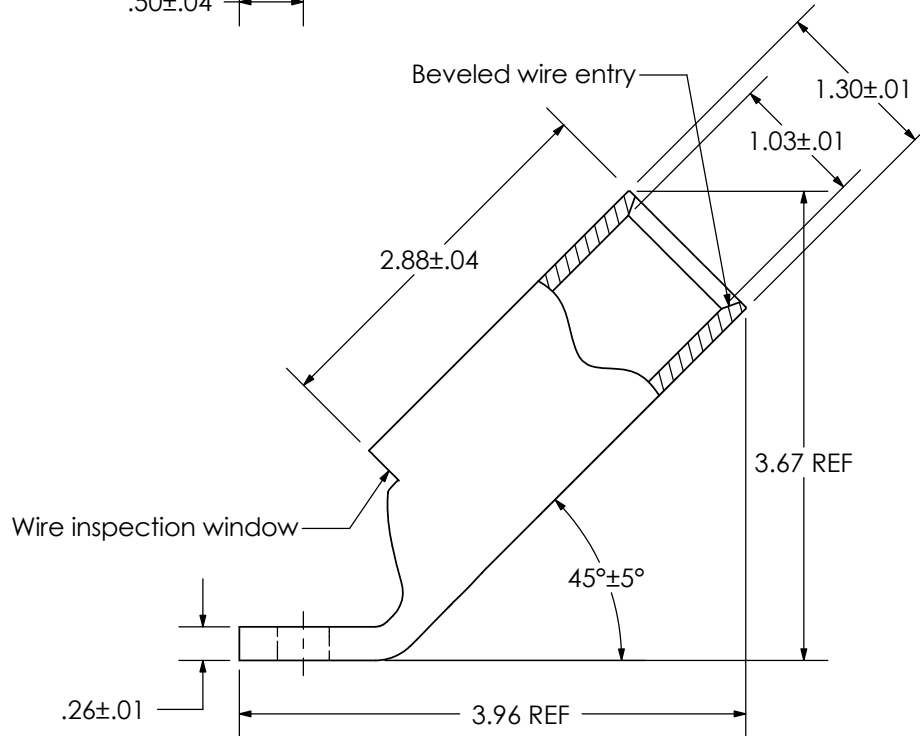
Material	High Conductivity Seamless Copper Tube
Plating	Electro-Tin
Wire Size	500 STR/FLEX
Wire Type	Stranded Copper: Class B & C Compact, Class G, H, I, K, M, Locomotive
Wire Strip Length	2-15/16 in.
Stud Size	3/8 in.
UL Listed Wire Connector	Yes, for applications up to 35kv. Consult cable manufacturer for voltage stress relief instructions with applications greater than 2000 volts.
UL Temperature Rating	90° C
C.S.A Certified Wire Connector	Yes
Panduit Color Code on Barrel	PINK
Panduit Die Index No. on Barrel	P99
Alternate Industry Die Index No. () on Barrel	(L99)



Also stamped with:
500 STR/FLEX
LCBX500-38H



Color coded barrel markings



01	3/08	LEM	LEM	INCREASED TONGUE LENGTH	
REV	DATE	BY	CHK	DESCRIPTION	ECN

PANDUIT CORP. TINLEY PARK, ILLINOIS

LCBX500-38H-6
Copper Lug - One-Hole, Long Flex Barrel, 45° Angle Tongue

SCALE N/A DRAWING NO / CAD FILE LCBX500-38H-CUST